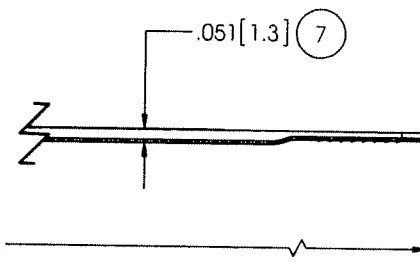
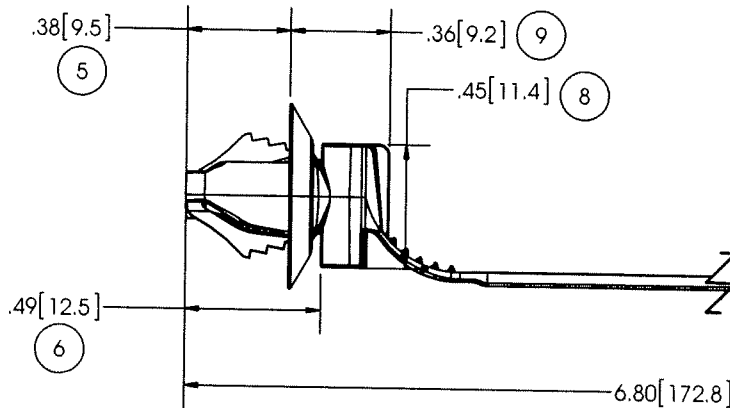
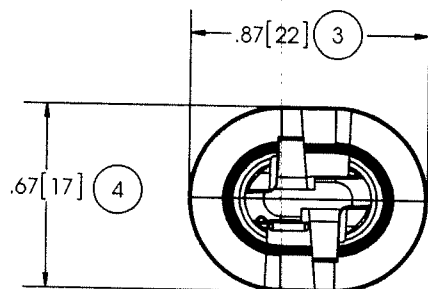
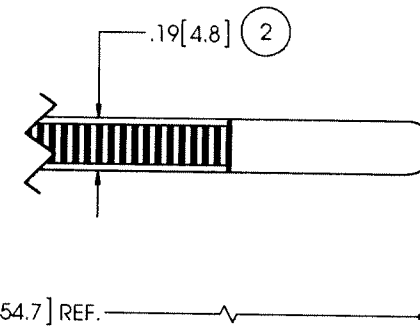
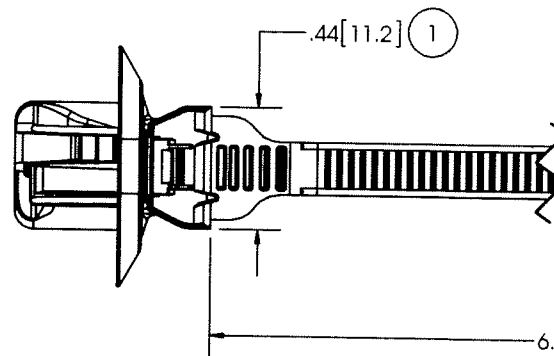
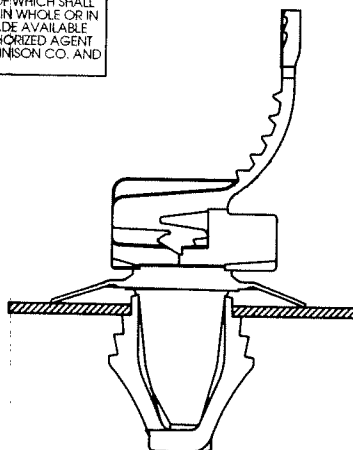
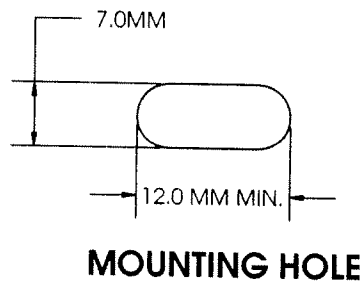


AVERY DENNISON MARKETING SPECIFICATION

HISTORY

REV.	DATE	DESCRIPTION
A	12-08-11	RELEASED

THE SUBJECT MATTER DISCLOSED HEREIN EMBODIES PROPRIETARY INFORMATION WHICH IS THE CONFIDENTIAL PROPERTY OF THE AVERY DENNISON CO. NONE OF WHICH SHALL BE COPIED, REPRODUCED, DISCLOSED TO OTHERS, PUBLISHED OR USED IN WHOLE OR IN PART, FOR ANY PURPOSE OTHER THAN THAT FOR WHICH IT IS BEING MADE AVAILABLE WITHOUT THE EXPRESS ADVANCE WRITTEN PERMISSION OF A DULY AUTHORIZED AGENT OF THE COMPANY. THIS DOCUMENT IS THE PROPERTY OF THE AVERY DENNISON CO. AND IS TO BE RETURNED TO THE COMPANY ON DEMAND.



NOTES:

- MATERIAL SHALL CONFIRM TO WSK-M4D706-A, MS-DB-41 CPN1826, AND GMP.PA66.015

APPLICATION:	UNDER HOOD
MOUNTING:	7MM X 12MM MIN. SLOTTED HOLE
PANEL THICKNESS RANGE:	0.7MM TO 3.6MM THK.
TENSILE STRENGTH:	50 LBF / 222N MIN.
WEIGHT:	1.76 GRAMS
TEMPERATURE RANGE:	-40°F (-40°C) TO 239°F (115°C) CONTINUOUS AND 257°F (125°C) AT MAXIMUM EXPOSURE
BUNDLE DIAMETER:	Ø 1.6MM TO Ø 38.1MM
TOOL:	12001- HAND INSTALLATION TOOL 12500- PNUM. INSTALLATION TOOL
TOOL TENSION SETTING:	6 - 8
PACKAGING:	500/BAG, 10 BAGS/MASTER

APPROVALS:
 ENG. APPR. *[Signature]*
 Q.A. APPR. *[Signature]* 12/16/2011

SPECIFIED TOLERANCES ARE:
 .XX ± .03 INCHES .X ± .7 MM
 .XXX ± .01 INCHES .XX ± .25 MM
 ANGULAR: ± 2°

MATERIAL
 NYLON 6/6,
 IMPACT MODIFIED, HEAT STABILIZED
COLOR
 GRAY



DESCRIPTION
DIRECTIONAL SLOT TIE
STOCK NO.
20123-0
REV.
A

5 4 3 2 1